

CONTENDER

FULL LINE MODEL BROCHURE

35TH
ANNIVERSARY

CONTENDER

ALWAYS IN THE GAME

For over 35 years, Contender has built hand-laid fiberglass hulls that ride like no other.

Built for speed. Built for fun, and, built to fish.

Contender boats have a legacy of exploring the open oceans of the world, and coming home with more than just another story about the big one that got away.

From the marlin rich waters of the Caribbean islands up the checkered coastal towns of the eastern seaboard, You'll find Contender Boats

IN THE GAME.



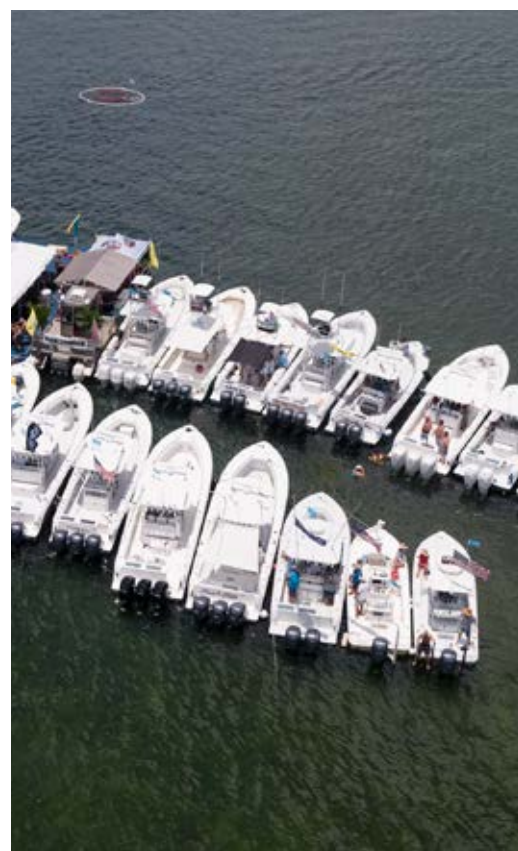
POWERED BY
 **YAMAHA**



With a mass production boat, your boat is built like all the others.

With a Contender, **YOU** choose your engine power, t-top, tower, helm layout, console, leaning post, electronics, and other options for fishing, seating, and general comfort.

Bumping around the bay, or battling big blowing blue water rollers – there's a Contender for you.



CONTENDER MODEL LINE

- 25BAY** PAGE 14
- 25** PAGE 16
- 28** PAGE 18
- 30** PAGE 22
- 32** PAGE 24
- 35** PAGE 26
- 39** PAGE 28
- 44** PAGE 32

GELCOAT COLOR

Contender chooses premium marine resins, and gelcoats to ensure reduced elongation and flex fatigue over time. These materials ensure toughness and durability while maintaining a beautiful finish.

SKY BLUE

WHISPER GRAY

ICE BLUE

FLAG BLUE

FIGHTING LADY YELLOW

ARISTO BLUE

MATTERHORN WHITE

STARS & STRIPES

MEDIUM GRAY

HI-FLEX WHITE

SEA FOAM

AQUAMIST

LIGHT GRAY



Contender Boats are always custom made and crafted with multiple options to accommodate your boating and fishing style and application - from the northern canyons, to the southern islands, they are built for the ocean and **built for you.**



BUILT TO ORDER.



ELECTRONICS PACKAGE



FISHING



HELM STATION



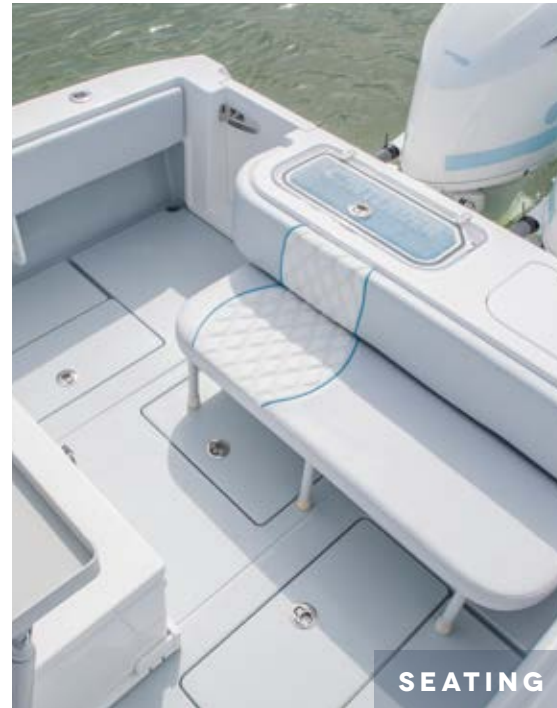
ENGINE POWER



LEANING POST



T-TOP



SEATING

CUSTOM MODEL OPTIONS.

All boats are built from a variety of colors and finishes available. Custom stitched upholstery is available for both forward and rear seating.

A range of factory installed electronics are available to fit console size and budget.

Your boat is built with a stereo system from mild to wild, GPS navigation screens and electronics to suit your application, and personal convenience options that make a day on the water more comfortable.

Choose your custom model options to build the boat that is perfect for your port.

WHY STEPPED HULLS?



Stepped hulls have improved speed & fuel economy.

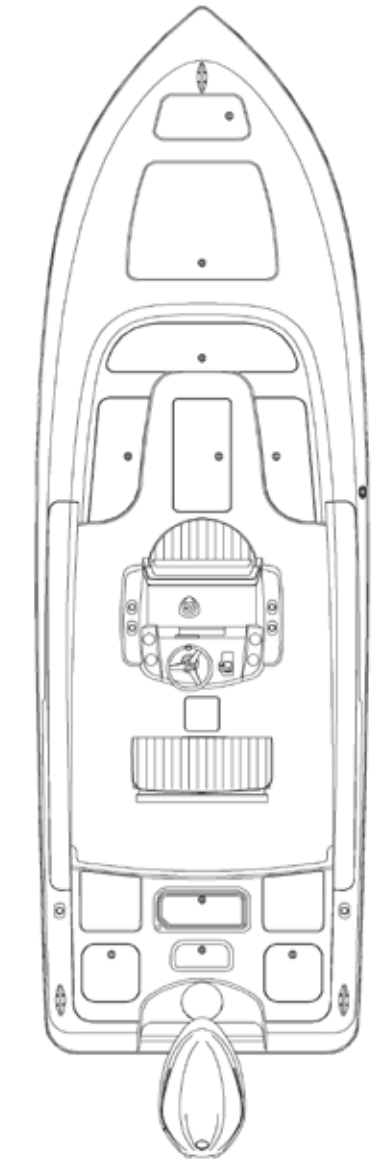
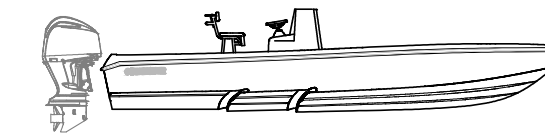
The stepped hulls found on a Contender hull offer the benefit of increased speed and improved fuel economy. The steps generate greater lift than conventional v-bottoms which causes decreased resistance and a lower running angle resulting in a more efficient ride.

Thanks to our decades of experience designing and building high performance fishing boats, we have been able to create the best performing stepped hulls in the industry while maintaining the handling, seaworthiness, and fishability expected from a Contender.



25 BAY

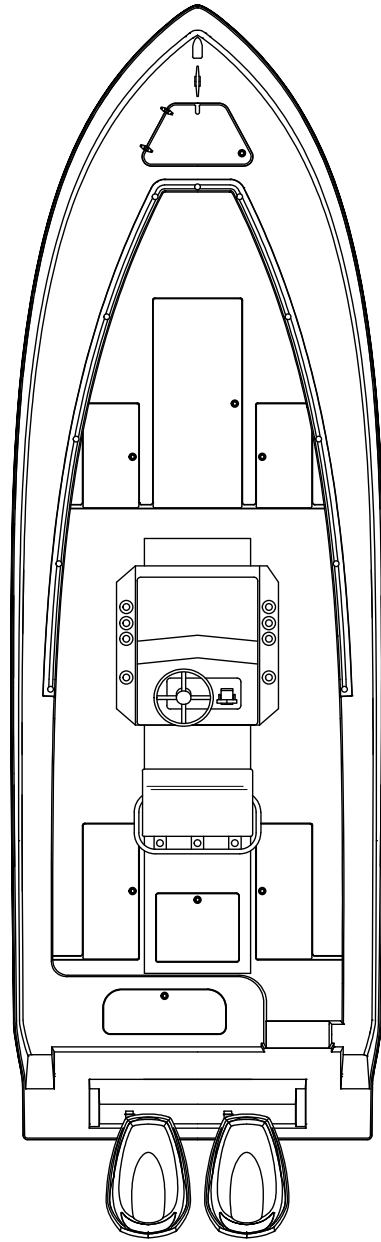
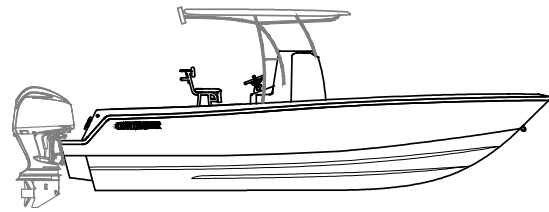
LOA:	25' 4"
BEAM:	8' 6"
WEIGHT (LOADED):	4,200 LBS
DEADRISE:	15.5°
FUEL:	90 GAL.
MAX HP:	400 HP



- 🦋 340 Quart Dry Storage w/ Additional Battery Storage
- 🦋 180 Quart Fully Lined and Insulated Infloor Fish Box
- 🦋 40 Gallon Livewell
- 🦋 12 Gallon Baitwell
- 🦋 (2) Rod Locker Storage Compartments
- 🦋 160 Quart Insulated Cooler
- 🦋 Custom 70-quart Cooler, Console Front Seat
- 🦋 (2) Flush-Folding Aft Deck Jump Seats
- 🦋 (2) 8" Stern Cleats
- 🦋 (6) Under-Gunnel Rod Racks
- 🦋 Under-Seat Dry Storage

25T

LOA:	25' 3"
BEAM:	8' 6"
WEIGHT (LOADED):	5,250 LBS
DEADRISE:	24.5°
FUEL:	178 GAL.
MAX HP:	400 HP



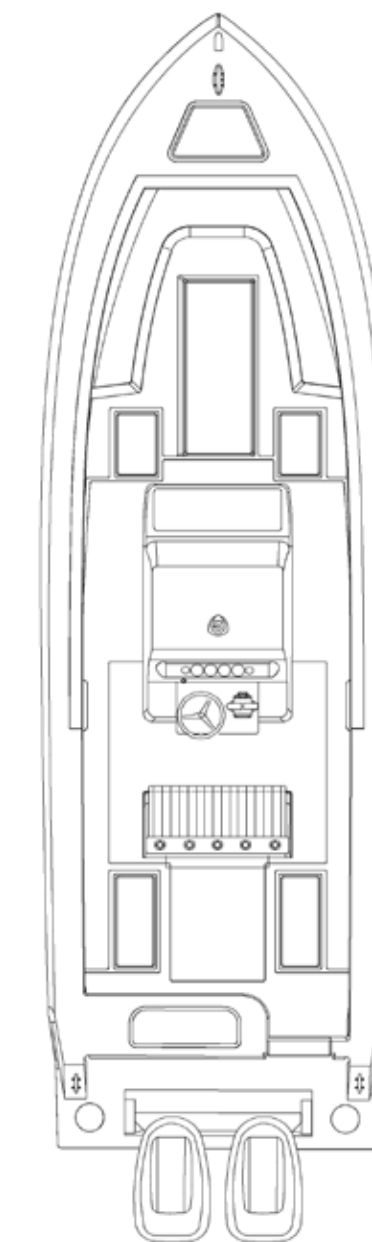
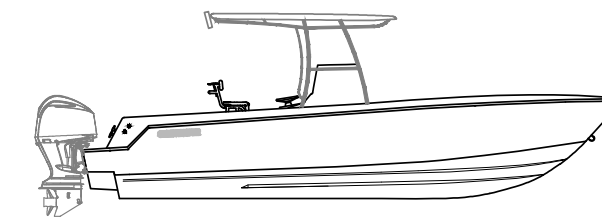
- 1100 GPH Live Well Plumbing
- Under Gunnel Rod Racks
- Plexiglass Windshield
- 140 Gal. Full Lined Forward Fish Box
- (2) 76 Gal Lined & Insulated Aft Fish Boxes
- 40 Gal Transom Live Well
- (2) Forward Under Deck Rod Lockers
- Center Storage Locker Forward of Console
- Lenco Auto Trim Tabs
- Full Transom & Dive Door
- Self-Bailing Cockpit





28^T

LOA:	28'0"
BEAM:	8'10"
WEIGHT (LOADED):	7,400 LBS
DEADRISE:	24.5°
FUEL:	180 GAL
MAX HP:	600 HP



- 🦋 140 Gal. Fully Lined & Insulated Forward Fish Box
- 🦋 (2) 76 Gal. Fully Lined & Insulated, Aft Fish Boxes (Port & Stbd)
- 🦋 40 Gal. Transom Livewell, Under Deck
- 🦋 (2) Forward Under Deck Rod Lockers
- 🦋 (3) Storage Compartments Under Forward Seating

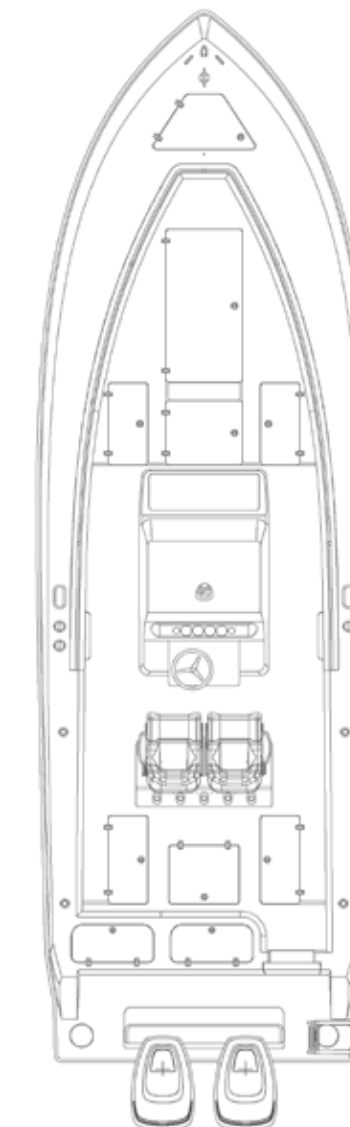
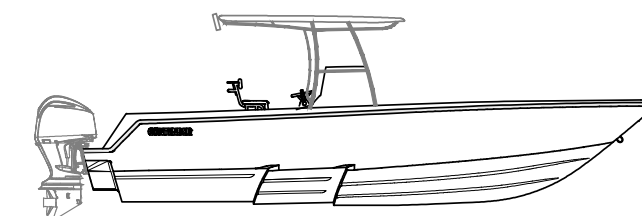
- 🦋 Extra Large Walk-in Console
- 🦋 Molded in Front Console Seat w/ Cooler
- 🦋 Oversized Electronics Panel
- 🦋 (2) 8" Spring Line Cleats w/Hause Pipes
- 🦋 (4) Flush Mount Gunnel Rod Holders





30ST

LOA:	29'8"
BEAM:	9'6"
WEIGHT (LOADED):	9,250 LBS
DEADRISE:	24.5°
FUEL:	265 GAL
MAX HP:	600 HP

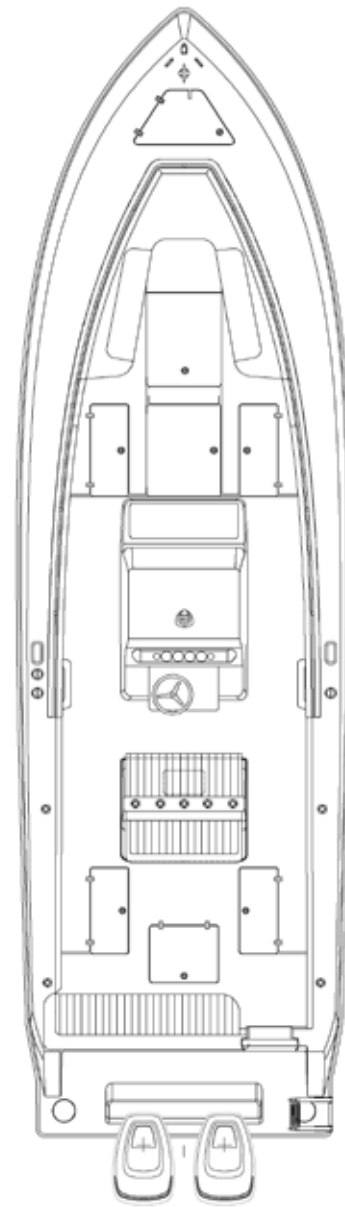
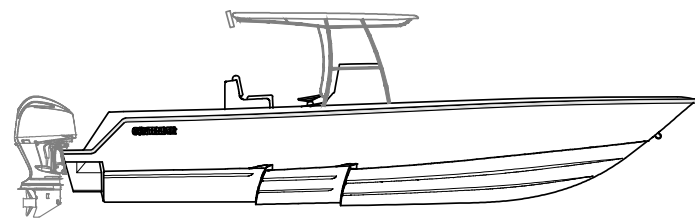


- 🦈 130 Gal. Fully Lined & Insulated Forward Fish Box
- 🦈 (2) 70 Gal. Fully Lined & Insulated
- 🦈 (2) Aft Fish Boxes
- 🦈 (2) Forward Under Deck Rod Lockers
- 🦈 (2) 40 Gal. Transom Livewells

- 🦈 Extra Large Walk-In Console Lockable Storage
- 🦈 (2) 8" Stern Cleats
- 🦈 (2) 8" Spring Line Cleats – Midship
- 🦈 (4) Flush Mount Gunnel Rod Holders
- 🦈 Aluminum Recessed Bow Handrail

32ST

LOA:	32'7"
BEAM:	9'8"
WEIGHT (LOADED):	11,500 LBS
DEADRISE:	24.5°
FUEL:	310 GAL
MAX HP:	800 HP



- 130 Gal. Fully Lined & Insulated Forward Fish Box
- (2) 96 Gal. Fully Lined & Insulated, Aft Fish Boxes (Port & Stbd)
- (2) Forward Under Deck Rod Lockers
- (2) 40 Gal. Transom Livewell
- Extra Large Walk-In Console

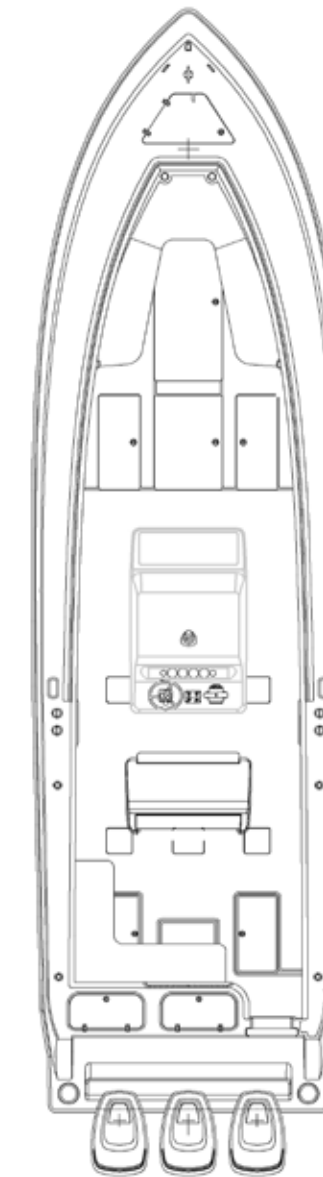
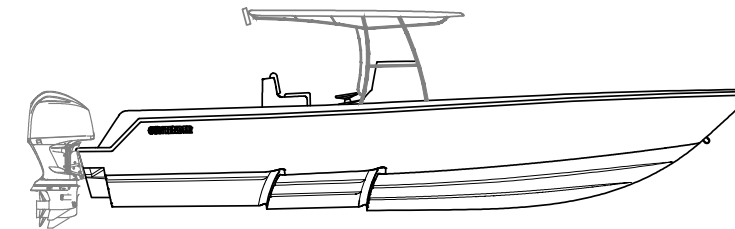
- Oversized Electronics Panel
- Lockable Storage
- (2) 8" Stern Cleats
- 8" Pop-Up Bow Cleat
- (4) Flush Mount Gunnel Rod Holders
- Aluminum Recessed Bow Handrail





35ST

LOA:	34'5"
BEAM:	9'10"
WEIGHT (LOADED):	13,500 LBS
DEADRISE:	24.5°
FUEL:	400 GAL
MAX HP:	1,200 HP

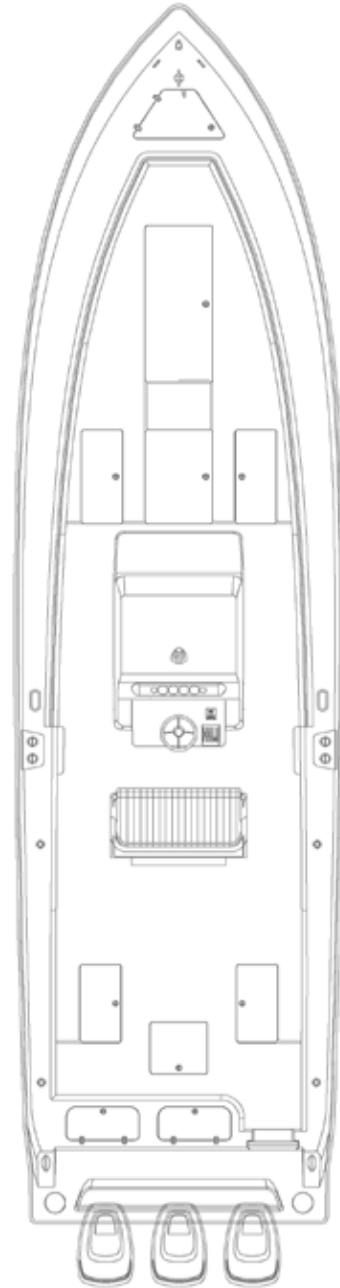
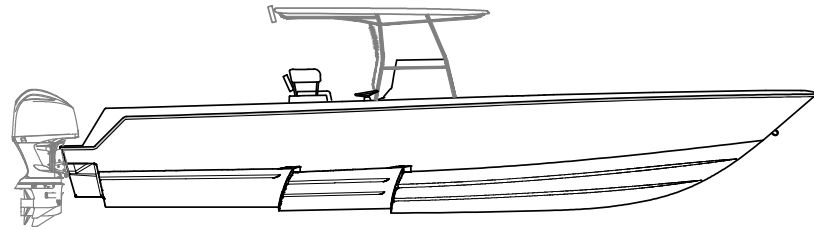


- 🦋 208 Gal. Fully Lined & Insulated Forward Fish Box
- 🦋 (2) 115 Gal. Fully Lined & Insulated, Aft Fish Boxes
- 🦋 (2) 40 Gal. Livewells
- 🦋 Bilge Liner
- 🦋 Extra Large Walk-In Console
- 🦋 Oversized Electronics Panel

- 🦋 Molded In Front Console Seat
- 🦋 Lockable Storage
- 🦋 8" Pop-Up Bow Cleat
- 🦋 (2) 10" Stern Cleats
- 🦋 (2) 8" Cleats w/Hause Pipes-Midship
- 🦋 (4) Flush Mount Gunnel Rod Holders
- 🦋 Aluminum Recessed Bow Handrail

39ST

LOA:	39'
BEAM:	10'10"
WEIGHT (LOADED):	15,400 LBS
DEADRISE:	24.5°
FUEL:	500 GAL
MAX HP:	1,600 HP



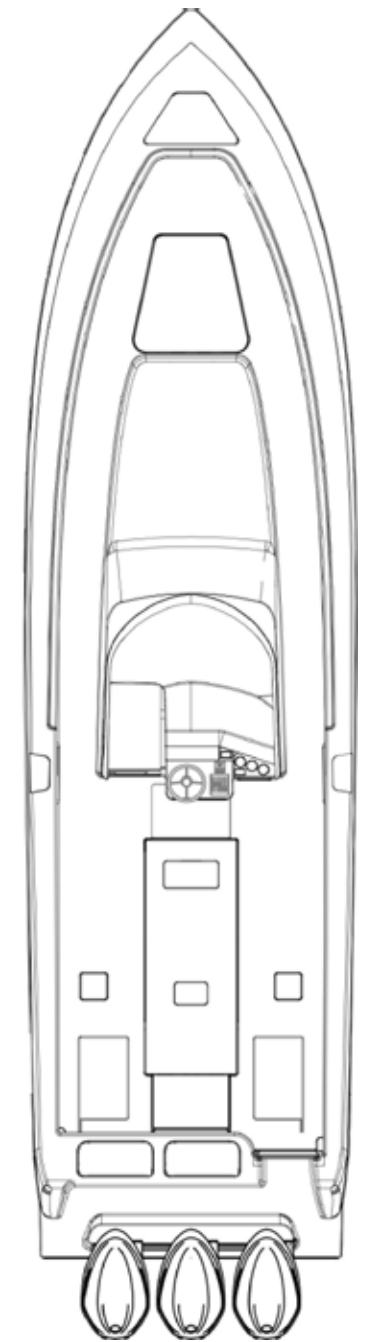
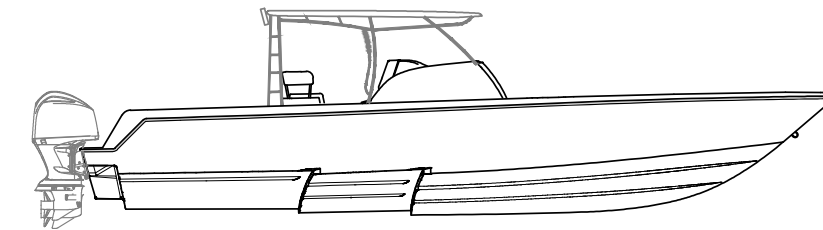
- 🦈 260 Gal. Fully Lined Forward Fish Box
- 🦈 145 Gal. Fully Lined & Insulated Forward Fish Box
- 🦈 (2) 105 Gal. Fully Lined & Insulated Aft Fish Boxes (Port & Starboard)
- 🦈 (2) 40 Gal. Transom Livewells
- 🦈 (2) Full Length Rod Lockers
- 🦈 Bilge Liner
- 🦈 Extra Large Walk-in Console Fully Lined and Finished w/ Head Compartment
- 🦈 Oversized Electronics Panel
- 🦈 Molded in Front Console Seat
- 🦈 (4) Flush Mount Gunnel Rod Holders
- 🦈 Aluminum Recessed Bow Handrail





39 FA

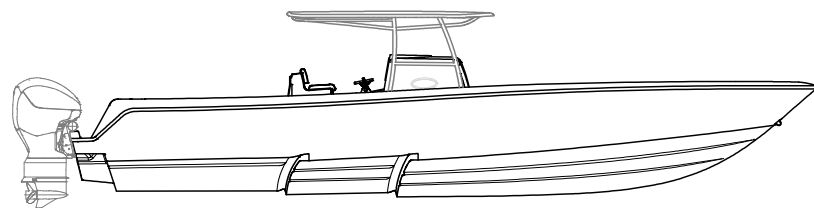
LOA:	39'
BEAM:	10'10"
WEIGHT (LOADED):	15,400 LBS
DEADRISE:	24.5°
FUEL:	460 GAL
MAX HP:	1,600 HP



- 🦋 260 Gal. Fully Lined Forward Fish Box
- 🦋 (2) 105 Gal. Fully Lined & Insulated Aft Fish Boxes
- 🦋 (2) 40 Gal. Transom Live wells
- 🦋 Extra Large Walk-in Console Fully Lined and Finished W/Head Compartment
- 🦋 Molded in Front Console Seat
- 🦋 Lockable Storage Inside Console
- 🦋 (2) 10" Stern Cleats
- 🦋 (2) 8" Cleats w/Hause Pipes - Midship
- 🦋 (4) Flush Mount Gunnel Rod Holders
- 🦋 Aluminum Recessed Bow Handrail

44ST

LOA:	43' 10"
BEAM:	12'
WEIGHT (LOADED):	19,600 LBS
DEADRISE:	22.7"
FUEL:	600 GAL.
MAX HP:	2,000 HP



- 340 Gallon Forward Fish Box, Insulated
- 315 Gallon Forward Storage, Insulated
- 10' Forward Rod Lockers, Lined, Port & STBD
- 110 Gallon AFT Fish Boxes, Insulated, Port & STBD
- (2) 55 Gallon Transom Livewells
- Bilge Liner

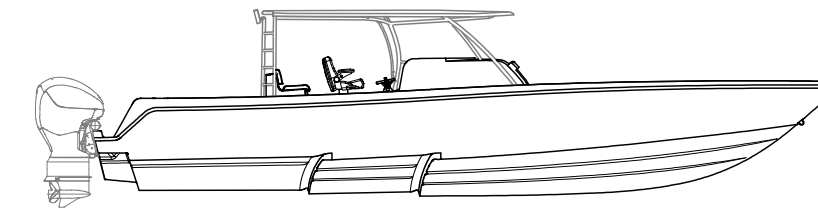
- Extra Large Walk-in Console
- Fully Lined and Finished w/ Head Compartment
- Oversized Electronics Panel Molded in Front Console Seat
- (4) Flush Mount Gunnel Rod Holders
- Aluminum Recessed Bow Handrail





44FA

LOA:	43' 10"
BEAM:	12'
WEIGHT (LOADED):	21,600 LBS
DEADRISE:	22.7°
FUEL:	575 GAL.
MAX HP:	2,000 HP



- 🦋 250 Gal FWD Fishbox
- 🦋 Queen Sized FWD Berth
- 🦋 Full Galley
- 🦋 Molded in Front Console Seat
- 🦋 Lockable Storage Inside Console
- 🦋 (2) 10" Stern Cleats
- 🦋 (2) 8" Cleats w/Hause Pipes - Midship
- 🦋 (4) Flush Mount Gunnel Rod Holders
- 🦋 Aluminum Recessed Bow Handrail
- 🦋 Enclosed Head w/ Shower
- 🦋 (2) 110 Gal AFT Fishboxes
- 🦋 (2) 55 Gal. Transom Livewells



FISHABILITY

Fishing is not just a hobby.

For us, it's a salt-soaked blue water adventure sport that fuels weekend warriors to explore the unknown.

200 Miles from home with big fish to weigh is not the time to wonder about speed, range, or reliability.

The competitive drive is strong at Contender Boats, and serves as the fuel for performance through innovation.



VERSATILITY

Chasing big fish offshore, or sitting in the sun at the sandbar, You always have options for your Contender.

Make a day of catching rays more enjoyable for everyone with an in-console step-in head, forward and rear seating options, and electronics to keep the music loud all afternoon.

Build the boat that suits your needs, and allows your family the creature comforts they love. Headrests, custom stitched seating, and coffin lounges for seating and storage are all options to make your Contender your own.

ALWAYS IN THE GAME.

Over 35 years, hundreds of thousands of miles, thousands of boats, and hundreds of trophy worthy fish... It's widely known that Contender boats are built to fish.

The custom options for your taste and style mean the boat is built for you.

Just one trip to the sandbar, and everyone knows these boats are built for fun.

Most of all –

Contenders have evolved with the highest levels with proven tournament winners, and the hardcore fisherman who are never satisfied with a fishing day that is just good enough. They are built to boat big fish, and win.

Contender Boats are built for those that understand the details matter. Not just another competitor - A Contender...

... and with a Contender,

You're Always in the Game.





CONTENDER BOATS, INC.

1820 SE 38th Ave
Homestead, FL 33035

(305) 230-1600
ContenderBoats.com

IMAGES PROVIDED BY:

gregpoland.com
deepseevisuals.com
brobertsphotography.com
Austin Powell
AH360Views.com

